

# Arcadia Central Station

Integrated Platform

Linking  
People  
Together



Arcadia Central Station

## Key Features and Benefits

### Capacity

- Supports up to 32 beltacks (FSII and/or FSE), 16 IP transceivers (FSII 1.9 or FSE 5.0GHz) and up to 10 E1 transceivers (1.9 or 2.4GHz)
- Supports up to 100 channels
- 96 ports of connectivity

### Central Station

- Standard 1 rack unit (RU) device
- High quality 12kHz audio to FS Edge beltacks
- 2 large full-color touch screen TFT displays
- 4 rotary encoders for gain and menu operation
- Headset or Microphone and Speaker connection
- Stage Announce and Prog. Audio cable included
- Functions as PTP Leader Clock

### Connectivity

- Wireless 5GHz Edge transceivers and beltacks
- Wireless 1.9GHz and 2.4GHz FSII splitters, transceivers and beltacks
- Dante enabled audio devices
- 4-wire ports (8 ports RJ45)
- 2-Wire ports (4 XLR-3F)
- GPIO (D-type 9 pin)
- LAN - 2 x RJ45, 2 x SFP

### Configuration

- CCM configuration tool
- Direct management with encoders and display

Arcadia™ Central Station is a scalable IP intercom platform which integrates analog wired and digital wireless partyline systems, including the full range of FreeSpeak™ products. With a mixture of 2-wire and 4-wire audio ports, the 1RU device serves as the centerpiece of a system that includes Clear-Com endpoints along with third-party Dante devices. HelixNet® integration will be added in 2022.

## Description

The Arcadia Central Station is an IP-based standalone 1RU device supporting wired and wireless endpoints with up to 96 total ports of connectivity, 64 of which are available for Dante/AES67. Flexible licensing of features - including ports - allows Arcadia to expand over time as needed, making it a future-proof investment.

A key feature of Arcadia is its support for the entire FreeSpeak wireless family. Users can leverage a mixture of FreeSpeak Edge® 5 GHz transceivers/beltacks, FreeSpeak II® 1.9 GHz E1 and IP transceivers/beltacks\*, and FreeSpeak II 2.4 GHz E1 transceivers/beltacks. In total, the central station supports up to 32 beltacks via up to 16 IPTs or FreeSpeak Edge transceivers, and up to 10 E1 transceivers (1.9 or 2.4 GHz).

## Operation

Built for situations that require quick changes on the fly, Arcadia can be managed directly through two large high resolution TFT color touch screens by using four rotary encoders to quickly scroll through menus and shift pages. Beltacks can be registered via the front USB port or OTA (Over-the-air) while transceivers can be added from the front panel. A headset connection as well as a microphone and speaker on the front panel allows Arcadia to serve as a user station.

## Configuration

The system is configured through the Core Configuration Manager (CCM™) software, an integrated, browser-based software utility for enabling rapid setup, configuration and monitoring. The intuitive user interface has a consistent design for a quick and simple means of configuring the base station with role-based beltacks, including save and restore, text messaging, individual beltback and group call signal and remote mic kill.

\*Note: A 1.9 GHz beltback cannot roam between E1 transceivers and IPTs. However, beltbacks which are connected to different types of transceivers can communicate through the Arcadia Central Station.

## Technical Specifications

### Capacity

**Beltpacks per Station:** 32 BPs (FSII or FSE)  
**Transceivers/Antennas Supported by Station:** 16 x FSII IP TCVRs (1.9 or FSE 5.0GHz) and 10 x E1 TCVRs (1.9 or 2.4GHz)

### Gooseneck Microphone Input

**Input Type:** Dynamic/Electret - Selectable  
**Frequency Response:** Gooseneck Mic - Partyline: 200Hz - 12kHz + 3dBu  
**Frequency Response:** Gooseneck Mic - Line Out: 200Hz - 20kHz + 3dBu  
**Mic Limiter Threshold:** -35dBu ±3dB  
**Mic Limiter Range:** ≥ 20dB  
**Max Input Level:** -10dBu  
**Input Level:** -45dBu nominal; -10dBu MAX  
**Headset Mic Voltage:** 5V (Electret selectable)

### Speaker Output

**Speaker Type:** 1.6 x 2.8in oval  
**Load Impedance:** 4Ω  
**Max Output Level before 1% Distortion:** 18dBu ± 2dB  
**Total Harmonic Distortion (THD):** < 0.5% THD at 1kHz  
**Max Speaker Level:** 87dB ± 2dB SPL A Weighted at 3ft  
**Frequency Response:** 100Hz - 10kHz ± 9dB

### Audio/Radio

**4-wire I/O:** Output Impedance >10kΩ, Input Impedance 200Ω + 10%, transformer isolated balanced input and output  
**4-wire Operating Levels:** 0dBu Nominal, 18dBu headroom  
**2-wire I/O:** Selectable RTS or Clear-Com mode, Software controlled auto-null, null depth >60dB at 1kHz  
**2-wire Operating Levels:** -18dBu nominal (Clear-Com Mode), -12dBu nominal (RTS Mode), Headroom 18dB

**Frequency Response Station-to-Beltpack:**  
**Freespeak Edge Beltpack:** 200Hz - 12kHz  
**Freespeak II Beltpack:** 200Hz - 7.1kHz

### Partyline I/O

**2W Power On/Off:** A/B, C/D paired- software controlled  
**2W Output Voltage:** 25 - 28V DC, 560 mA per pair (A/B or C/D)  
**2W Impedance:** >10kΩ  
**2W Frequency Response:** 200 to 12kHz, ±3dB  
**2W Total Harmonic Distortion (THD):** < 0.1% THD at 1 kHz

### Relay Contacts or GPIO

**Connector Type:** 2 x DB9  
**Relay Contact Type:** SPDT  
**Relay Quantity:** 4  
**Relay Contact Voltage Rating:** 30V DC  
**Relay Contact Current Rating:** 1A  
**Input Type:** Opto-Isolated  
**Input Quantity:** 2  
**Input Voltage Range:** 4 - 30V DC or AC  
**Input Current:** ≥1.2mA required

### Connectors

**4-wire I/O:** (8) RJ45  
**2-wire I/O:** (4) XLR-3F  
**Program Input:**  
XLR-3M, provided using cable assembly CAB-RJ45-PGM-SA  
**Stage Announce Output:**  
XLR-3F, provided using cable assembly CAB-RJ45-PGM-SA  
**Headset:** 4-pin XLR-M, auto headset detect

**USB:** USB type A Receptacle  
**Number of E1 antenna ports:** 2 x RJ45, 2 x Fiber (2 active at any time)  
**DECT Radio frequency sync:**  
Rear RJ45 input and output RF sync connectors

### Indicators and Function

**Displays:** (2) 480 x 128 color TFT LED Touch Screen displays  
**Front Panel Indicators & Function:**  
(2) Power Supply Status LEDs  
(1) Status LED (Edge)  
(1) Three Color Level Control LED Array

### Power:

**AC Mains input:** 100-240V AC, 50-60Hz, 160W Max, IEC60320 C14 inlet  
**DC Low Voltage Input:** 12V DC +/- 5%, 12A

### External AC/DC Power Supply (PSU-EXT-001 Supplied):

**Input:** 100-240V AC, 50-60Hz, 2.2A Max, IEC60320 C14 inlet  
**Output:** 12V DC +/- 5%, 12.5A

### Environmental

**Operating:** 32° to 113°F (0° to 45°C)  
**Storage:** 86° to 158°F (30° to 70°C)  
**Humidity:** 20-90% Non-Condensing

### Dimensions

1RU  
19 x 1.72 x 13.929in (WxHxL)  
(482.6 x 43.6 x 353.8mm)

### Weight

7.25lbs (3.29kg)

## Network Specifications

### AoIP Interfaces

**Protocols:**

RTSP/SAP

AES67

Dante

**Audio Sampling:** 24 bit Linear 48kHz

**IP Addressing:** Static, DHCP

**Network Compatibility:** Layer 2 & 3 LAN only

**Quality of Service:** DiffServ RFC2474

**IGMP:** On (AoIP)

**Multicast:** On (AoIP)

**Network Timing:** PTPv2 (AoIP) / PTP v1 (Dante)

**Minimum Network Bandwidth Required**

**Perduplex Connection:**

**1 x FS II IPT bandwidth usage:** ~7 Mbps

**1 x FS Edge IPT:** ~9.6Mbps

### Network Protocols

Ethernet IPv4 Unicast Audio and Control

mDNS–Multicast Device Discovery

### Network Ports

**Unicast:**

Port 80 TCP–Web Interface, System Management, Expansion

Port 443 for HTTPS

Port 6001 UDP–AES67 Data

Port 15000 – 15256 UDP – AES67 Audio

**Multicast:**

Port 5353 UDP–mDNS, Names, Discovery, Linking, Expansion, Dante

(through various ports)

**Network Jitter Tolerance:**

< 1µs required for RF Syncing of Transceivers

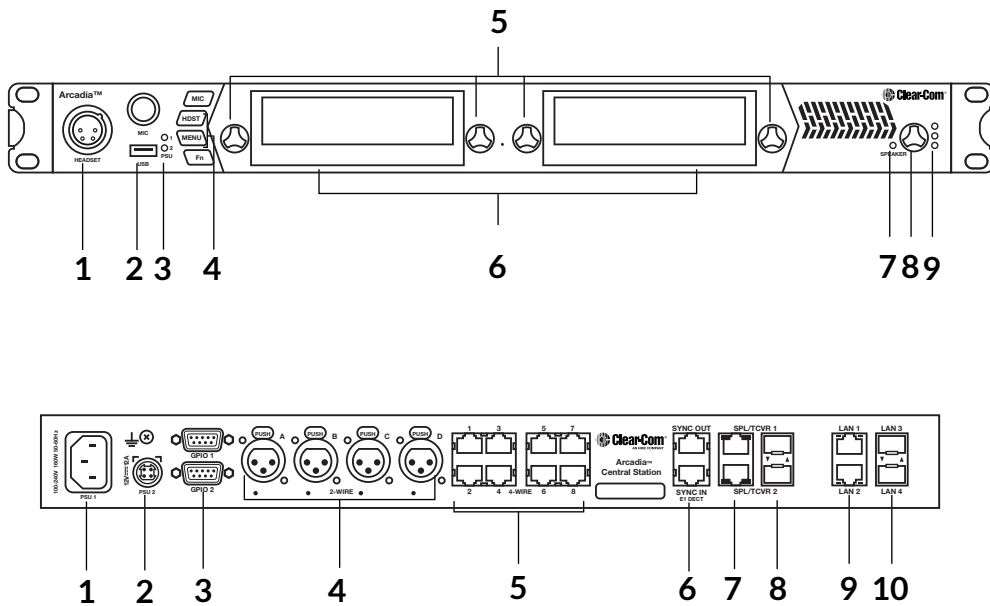
### Recommended Ethernet Switches

- Managed Ethernet Switch – Layer 3
- 100/1000 Base-T ports for endpoints
- 1000 Base IP Trunks between switches
- QoS Configuration
- Energy Efficient Ethernet bypass option
- IGMP Snooping bypass option

Please refer to the [Clear-Com AoIP Network Recommendations](#) guide for additional switch settings and network characteristics.

# Arcadia Central Station

Integrated Platform



## Legend

### Front

1. 4-pin XLR (M) or 5-pin XLR (F)
2. USB A
3. PSU LED indicators
4. Microphone, Headset, Menu and Function keys
5. Rotary encoders
6. Touchscreen displays
7. Speaker status LED
8. Main volume encoder
9. Main volume level LEDs

### Rear

1. Internal PSU
2. External PSU
3. GPIO
4. 2-wire ports
5. 4-wire ports
6. DECT sync in & out
7. E1 RJ45
8. E1 Fiber SFP
9. LAN ports
10. LAN SFP ports

## Order Codes

ARCADIA-X4-32P  
 ARCADIA-X4-48P  
 ARCADIA-X4-64P  
 ARCADIA-X4-80P  
 ARCADIA-X4-96P  
 ARCADIA-X5-32P  
 ARCADIA-X5-48P  
 ARCADIA-X5-64P  
 ARCADIA-X5-80P  
 ARCADIA-X5-96P  
 ARCADIA-16P-LIC